

Rasonic 樂信牌

RHP-BC35W

Ceramic Herbal Pot 陶瓷百草壺



僅適用於家庭使用

For household use only

使用說明書

OPERATION MANUAL

- 在使用本產品前，請仔細閱讀本說明書。閱讀後小心收藏，以備日後查閱。
- Please read the operation manual carefully before using and keep it in a safe place for future reference.
- 本說明書中的圖示可能與實物有不同的地方，僅供參考。
- Some figures in this manual may not match with the real object, just for reference only.

非常感謝您選購樂信牌陶瓷百草壺，在使用前請先詳細閱讀本說明書，並保存以備日後參考。

目錄

1. 安全注意事項
2. 保養、清潔及儲存
3. 產品規格
4. 產品說明
5. 使用方法
6. 故障排除
7. 特別聲明
8. 售後服務

1. 安全注意事項

使用本產品時，必須遵守下列安全措施：

1.1 使用前

1. 仔細閱讀本說明書的相關說明，不遵循或忽視有可能導致火災、觸電或個人傷害。
2. 使用前將所有包裝物料全部取出並棄掉，以免兒童當作玩具造成危險。
3. 切勿使用其它器皿來取代原裝陶瓷壺。
4. 使用前，確定陶瓷壺外部及主機表面清潔乾爽，否則可能引致故障。
5. 確保插頭已插穩在電源插座上。

1.2 使用中

1. 切勿讓小孩單獨使用、清潔及維修保養本產品或把其當作玩具。請將本產品及其電源線放於小孩不能觸及的地方。
2. 切勿讓主機在無人看管下、沒有陶瓷壺或陶瓷壺內沒有食物時運作。
3. 為避免燙傷，使用時或剛使用後，切勿將臉或手靠近壺蓋或蒸氣口；切勿觸摸剛使用後的主機及陶瓷壺，因仍有餘熱。
4. 切勿擅自改裝主機或使用非生產商提供的零件進行修理，否則可能造成危險及維修保養將無效。
5. 切勿用明火加熱陶瓷壺，否則會損壞產品。

6. 切勿在電源線纏結的情況下使用或將電源線懸掛在桌子、櫥櫃的邊緣或讓它接觸灼熱的表面，否則可能會造成電源線損壞。
7. 此產品只可作家庭使用或類似環境使用，如商店內部、辦事處和其他工作環境的員工廚房區域；旅館、汽車旅館和其他住宿類型的環境。
8. 切勿在加熱時打開壺蓋移動或搖晃陶瓷壺，以免造成危險。
9. 在插入或拔除插頭時，應用手握穩插頭，不要抓住電源線。
10. 切勿在以下環境使用本產品：
 - 潮濕或近水的環境
 - 靠近熱源如焗爐、電磁爐及火源
 - 不平穩的表面上
 - 易燃物料或不耐熱物品附近（如枱布、窗簾及毛巾等）

1.3 使用後

1. **警告！**本產品運作完成後，倒水時，只能拿起手柄，切勿用手直接接觸壺身高溫表面。
2. 切勿把主機、電源線或插頭浸入水中；或被水濺濕，並避免水溢在連接器上造成觸電及火災。
3. 使用後，請從電源插座拔出插頭及待陶瓷壺冷卻後才移動、清潔或檢查。
4. 手濕時切勿接觸、插入或拔除插頭，否則可構成觸電的危險。
5. 不可放重物在電源線上；切勿夾住、改裝、用力拉扯或扭曲電源線。

1.4 安全注意事項

1. 當陶瓷壺內草藥沸騰時，切勿把冷水注入陶瓷壺內，只能加熱水(50°C 以上)，否則可能導致陶瓷壺爆裂。
2. 當功能完成運作後，需關閉電源及拔下電源插頭，待冷卻20分鐘才取下陶瓷壺，避免陶瓷壺冷縮熱脹而導致破裂。
3. 陶瓷壺為陶瓷器皿，慎防與硬物碰撞或高處跌落造成破碎，陶瓷壺需在常溫下清洗，切忌驟冷驟熱(例如：剛使用完的陶瓷壺不可放在雲石上或水中) 或用明火加熱，否則可能導致陶瓷壺冷縮熱脹而破裂。
4. **注意！**本產品不宜烹調以下食材：
 - 煉製品或豆腐、麵類、薏米、燕麥片等食材，因為此等食材會於加熱過程中膨脹；
 - 快速產生氣泡的食材(如蘇打)；
 - 含大量油脂的食材；
 - 含大量澱粉的食材；
 - 加熱過程會起泡的食材(如果醬)；
 - 連包裝袋一併加熱的食材。
5. 完成烹調後，小心打開壺蓋，避免凝聚水珠從壺蓋或陶瓷壺掉落到控制面板或電源接駁位置。避免被蒸氣燙傷，可使用隔熱手套。
6. 經常檢查主機、陶瓷壺、電源線及插頭。如發現任何損毀，或曾經跌落，為避免危險，應立即停止使用，並聯絡信興電器服務中心有限公司進行檢查及維修。
7. 此產品可供年齡在8歲或以上的兒童及體質、感覺或智力有障礙人士或缺乏經驗和相關知識的人士使用，但他們必須接受負責安全人士的監督或指導如何安全地使用本產品和理解所涉及的危險。

2. 保養、清潔及儲存

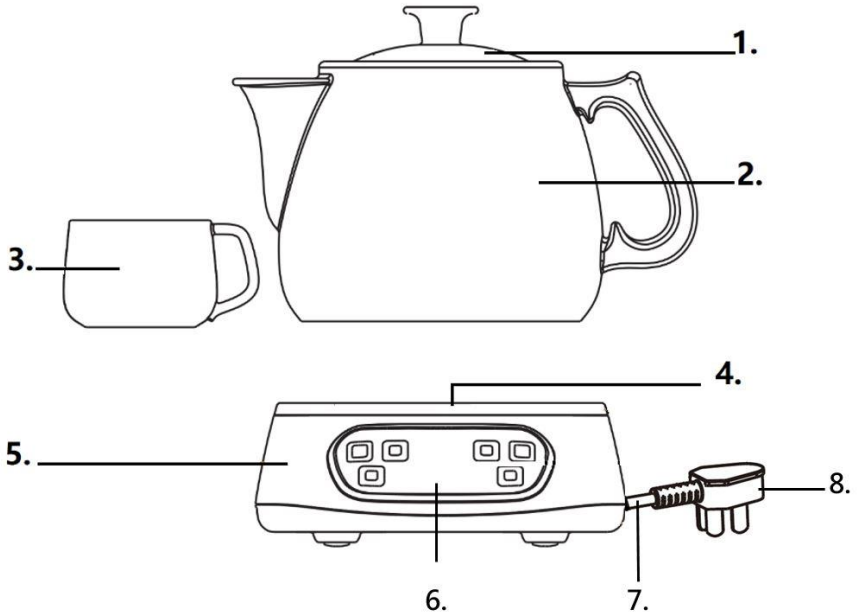
1. 每次使用後必須清潔。清潔前，必須拔除電源插頭，並待產品完全冷卻後才進行。
2. 陶瓷壺是易碎物品，使用及清洗時，請小心輕放，避免碰撞或讓陶瓷壺經常處於高溫狀態。
3. 可用溫水及少量溫和清潔劑清洗陶瓷壺。
4. 切勿用水直接清洗主機，亦避免讓液體流入發熱盤內（特別是電源接駁位），以免造成故障及危險。
5. 切勿用天拿水、汽油、去污粉或粗硬的潔具（如鋼絲刷）清潔。
6. 如發現主機或發熱盤上有污漬，可用扭乾的濕布抹淨，再抹乾。
7. 如需清除食物殘存氣味，請將開水倒進陶瓷壺內浸泡或滾沸幾分鐘，然後倒掉開水，待陶瓷壺冷卻後，再用冷水浸泡幾分鐘，即可清除壺內氣味。切勿使用化學溶劑、有毒或含腐蝕性的清潔劑進行壺內清潔。
8. 待產品完全冷卻及清洗後，才能存放入紙箱，然後儲存在乾爽的環境中。

3. 產品規格

型號	RHP-BC35W
顏色	深棕色
額定電壓	220-240 伏特 ~ 50-60 赫茲
額定功率	500-600 瓦
陶瓷壺容量(約)	3.5 升
陶瓷杯容量(約)	300 毫升
產品尺寸 (闊 x 深 x 高) (約)	300 x 260 x 286 毫米
淨重 (約)	2.95 公斤 (主機連陶瓷壺)

4. 產品說明

4.1 產品結構



1. 壺蓋	5. 主機
2. 陶瓷壺	6. 控制面板
3. 陶瓷杯	7. 電源線
4. 發熱盤	8. 插頭

4.2 控制面板



1. 【預約】鍵	5. 【開始/取消】鍵
2. 【-】鍵	6. 【功能】鍵
3. 顯示屏	7. 指示燈
4. 【+】鍵	8. 【加水量】鍵

5. 使用方法

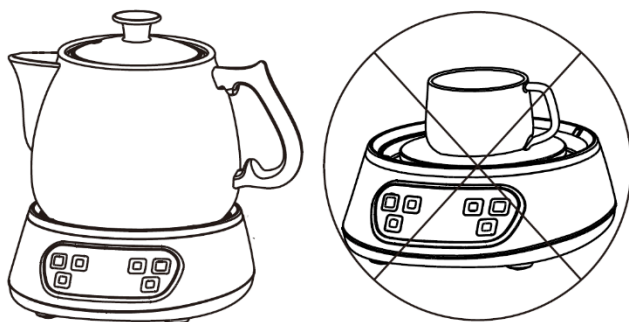
5.1 準備使用



- 放入藥材，按醫囑或藥材所需份量並以附送的陶瓷杯加水。



- ① 將卡榫位放入手柄方向的壺內緣。
- ② 對準陶瓷壺內的卡榫位，蓋上壺蓋。



- 把陶瓷壺放在主機上。
警告！切勿將本產品配套的陶瓷杯放在主機上。



- 將電源插頭接駁至插座上。

5.2 設定功能、加水量及煲湯功能

1. 接通電源：將電源插頭接駁至插座，產品會發出‘嗶’一聲，顯示屏顯示‘OFF’字樣，此為待機模式。
2. 功能選擇：待機模式下，按【功能】鍵選擇功能，功能會依次由“中藥”、“涼茶”、“煲湯”、“保溫”循環選擇。所選功能指示燈閃亮，而顯示屏會顯示對應功能的預設運作時間。
3. 設定水量：如用戶選用“中藥”或“涼茶”功能，可根據醫囑或藥材份量設定加水量，按【加水量】鍵依次由“3碗”、“4碗”、“2碗”循環選擇，對應的加水量指示燈會亮起。如用戶選用“煲湯”功能，則**無須**設定加水量，用戶可自行按食材或食譜所需加水。
4. 設定運作時間：選定功能及加水量後，用戶可按【+】或【-】鍵調節運作時間。每按一下【+】鍵或【-】鍵可增加或減少5分鐘運作時間。(詳細運作時間設定範圍，請參考**章節 5.3 功能時間參考**)
5. 開始工作：選定功能、加水量及運作時間後，按【開始/取消】鍵或等待10秒待產品自行確認，產品會開始運作。運作期間，指示燈會轉為常亮，而顯示屏會倒數顯示運作時間。

5.3 功能時間參考

功能	設定加水量*	預設運作時間 (小時：分鐘)	適用藥材量/ 湯料量	時間調節範圍 (小時：分鐘)
中藥	2 碗	0：45	按照醫囑加水 和藥材量	0：25 - 3：00
	3 碗	1：20		0：25 - 3：00
	4 碗	1：50		0：25 - 3：00
涼茶	2 碗	0：35	50-100 克	0：25 - 2：00
	3 碗	0：40	100-150 克	0：25 - 2：00
	4 碗	0：45	150-200 克	0：25 - 2：00
煲湯	不適用#	2：30	200-300 克	0：40 - 4：00

* 建議選用隨機贈送的陶瓷杯量水〔容量約為 300 毫升〕，或每碗水控制於約 250-300 毫升份量。

建議“煲湯”功能份量約為 3-5 碗陶瓷杯，或用戶需按食材或食譜需要自行加水。

- 所選功能開始運作前，可按照醫囑或食材分量另外調整時間。
- **注意！**以上運作時間僅供參考，因不同藥材吸水量不同，煎出的水量以實際為準。用戶可根據實際情況，自行調整運作時間。

5.4 預約功能

1. 待機模式，按下【預約】鍵，預約指示燈閃亮，可設定預約時間。
2. 每按一下【+】鍵可增加10分鐘，最長可設定預約時間為9小時50分。
3. 每按一下【-】鍵可減少10分鐘，最短可設定預約時間為10分鐘。
4. 設定預約時間後，預約功能指示燈轉為常亮，而顯示屏會倒數顯示功能的開始運作時間。
5. 其後可選擇功能及加水量。

注意！若設定預約時間後，10秒內沒有設定其他功能，主機將自動返回待機模式。

5.5 保溫功能

1. 除預約功能外，其他功能完成運作後，產品將自動進入保溫功能，預設保溫時間為2小時。
2. 待機模式下，按【功能】鍵可選擇“保溫”功能。保溫指示燈閃亮，可設定保溫時間。
3. 每按一下【+】鍵可增加30分鐘，最長可設定保溫時間為9小時30分。
4. 每按一下【-】鍵可減少30分鐘，最短可設定保溫時間為30分鐘。
5. 設定保溫時間後，保溫功能指示燈轉為常亮，而顯示屏會倒數顯示運作時間。

6. 故障排除

故障現象	原因	解決方法
產品無法運作。 顯示屏沒有顯示	產品未連接電源或未有 牢固插入插座。	從插座中拔出插頭，然 後重新插入。
顯示屏出現‘EO’字樣 並響起‘呖’一聲。	乾燒	請關閉電源待產品冷卻 後，在陶瓷壺內放入食 材及水後再使用。
食物尚未煮熟。	運作時間不足夠或水量 不足。	調整運作時間或增加水 量。

* 如使用以上方法仍未能使產品恢復正常操作，切勿嘗試自行維修。請聯絡信興電器服務中心有限公司進行檢查及維修。

7. 特別聲明

1. 本資料上所有內容經過核對，如有任何印刷及內容上的誤解，本公司將保留解釋權。
2. 本產品若有技術改進，會編進新版說明書中，恕不另行通知；產品外觀、規格如有改動，則以製造商資料為準。
3. 如本資料之中英文版本有差異時，應以中文版為準。
4. 使用說明書的電子副本或英文版本可以通過電子郵件發送致客戶，如有需要，可致電信興電工工程有限公司：2861 2767。

8. 售後服務

1. 由購買收據日期起之一年保修期內，經信興電器服務中心有限公司之服務人員證實產品故障屬於正常使用之情況下發生者，本公司將提供免費維修或更換零件服務。經更換之任何損壞零件，將歸屬本公司所有。保修範圍不包括修理或更換產品之損耗性零件等。
2. 用戶必須於維修時出示購買收據／換購收據及蓋有銷售點／換購中心印章的產品保修記錄卡。如有任何疑問，請致電信興電器服務中心有限公司熱線：2406 5666查詢。

Thank you for choosing Rasonic Ceramic Herbal Pot. Read the operation manual carefully before use and keep it for your future reference.

Table of Contents

1. Important Safeguards
2. Maintenance, Cleaning and Storage
3. Product Specifications
4. Product Descriptions
5. Operation Instructions
6. Troubleshooting
7. Special Avowal
8. After Sales Service

1. Important Safeguards

When using the appliance, please follow the below safety precautions:

1.1 Before use

1. Read the following safety precautions carefully before using the appliance. Failure or negligence in following these safety precautions could cause fire, electrical shock or injury.
2. Remove and discard all packing materials of the appliance. Make sure children do not play with them to avoid any danger.
3. Do not use other container to substitute the original ceramic pot.
4. Make sure the ceramic pot outer surface and main body are clean and dry before use, otherwise it may cause malfunction.
5. Make sure the power cord is plugged in tightly on the power socket.

1.2 In operation

1. Never allow children to operate, clean or perform maintenance on the appliance alone or play as toy. Put the appliance and its power cord in a place not reachable by children.

2. Never leave the appliance unattended when in use or operate it without ceramic pot or food inside the pot.
3. To avoid burns, do not get your face or hands close to the lid or steam outlet during operation or right after use; never touch the heating plate and ceramic pot which are subject to residual heat right after use.
4. Do not attempt to modify the appliance by yourself or repair with any unauthorized parts, otherwise it can cause hazards and the warranty will become invalid.
5. Do not heat the ceramic pot with fire, otherwise, it will cause damage.
6. Do not operate the appliance when the power cord is tangle or hang the power cord over the edge of table, counter-top or let it touch any hot surface, it may cause power cord damage.
7. The appliance is intended to be used in household or similar applications such as staff kitchen areas in shops, offices and other working environments; by clients in hotels, motels and other residential type environments.
8. Do not move or shake the ceramic pot without lid when using, it can cause danger.
9. Be sure to grasp the plug itself when plug in or unplug the appliance, do not grasp the power cord.

10. Do not operate the appliance in the following places:
 - Humid environment or near water
 - Near heat sources such as electric oven, induction cooker and fire
 - Unstable surface
 - Near inflammable or non-resistant to heat objects (e.g. table cloth, curtain and towel etc.)

1.3 After use

1. **WARNING!** After operation, when pour out hot water, only use the handle to move or lift the ceramic pot. Do not touch the outer surface because the outer surface still in high temperature.
2. To prevent electric shock and fire, never immerse the main body, power cord or plug in water or let them wet. Also, to avoid spillage in the connector.
3. After use, remove the plug and let the appliance cool down before moving, cleaning or checking.
4. Do not touch, plug in or remove the plug with wet hands. It may cause electric shock.
5. Do not place heavy objects on the power cord. Never clip, modify, stretch or twist the power cord.

1.4 Beware of the following

1. When the appliance is being used, do not pour cold water into the ceramic pot, it is just allowed to add hot water (50°C or above), otherwise it may result in the crash of ceramic pot.
2. When the operation is finished, unplug the appliance and let it cool for 20 minutes to avoid a crash of the ceramic pot due to thermal expansion and contraction in a sudden.
3. The ceramic pot is a kind of ceramic ware, be careful and prevent it from crashing with other hard objects or falling down from a high place. Cleaning of ceramic pot should be done at the normal temperature. Do not put the ceramic pot suddenly in a hot or cold condition (For example: do not put the hot ceramic pot on a marble surface or into water) or heat it by gas range, otherwise it may result in the crash of the ceramic pot because of expansion with heat and contraction with cold.

4. **CAUTION!** Avoid cooking the following types of foods by using the appliance,
 - Pasty foods or stewing items that swell when heated, such as bean curd, noodles, pearl barley, and oatmeal;
 - Cooking that use ingredients that suddenly foam up, like baking soda;
 - Cooking that uses much oil;
 - Cooking that uses starchy ingredients.
 - Ingredients with bubble (such as jam).
 - Cooking that requires package bags containing food to be heated in the cooker.
5. Open the pot lid carefully after operation. Avoid condensed water droplets dropping from the pot lid, ceramic pot surface onto the control panel or power connector. To avoid scalding by hot steam, make use of oven mitts.
6. Always check the condition of the main body, ceramic pot, power cord and plug. To avoid hazard, stop using the appliance immediately if the appliance is damaged or dropped. Contact Shun Hing Electric Service Centre Limited for checking and repairing.
7. The appliance can be used by children aged from 8 years and above and persons with reduced physical, sensory or mental capabilities, or lack of experience and knowledge, if they have been given supervision or instruction concerning use of the appliance in a safe way and understand the hazards involved.

2. Maintenance, Cleaning and Storage

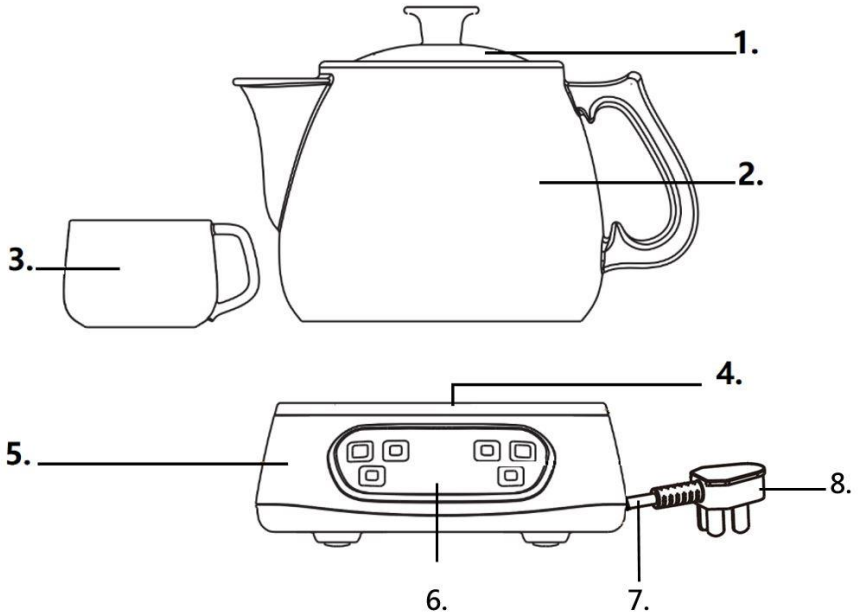
1. After use of the appliance, clean it in time for the next use. Before cleaning, unplug the appliance and let it cool down completely.
2. Ceramic pot is a kind of fragile ware, handle with care and do not place in high temperature environment for a long time.
3. Use warm water together with mild detergent to clean the ceramic pot.
4. To avoid malfunction and dangers, do not clean the main body with water directly or let water penetrate inside the heating plate (especially the power connector).
5. Do not use lacquer thinner, gasoline, decontamination powder, hard brush or metal brush to clean.
6. If dirt is attached on the main body or heating plate, use a damp cloth to clean and wipe them dry.
7. In order to remove the odor of food residue, pour some boiling water into the ceramic pot or boiling water for a few minutes, and then put it into cold water after it is cooled down, thus the odor will be removed. It is not allowed to use any chemical detergent, toxic or corrosive detergent to clean it.
8. Let the appliance cool down and cleaning completely before storage. Then put it in a carton box and store in a dry environment.

3. Product Specifications

Model	RHP-BC35W
Color	Brown
Rated Voltage	220V-240V~ 50-60 Hz
Rated Power	500-600 W
Ceramic Pot Capacity (Approx.)	3.5 L
Ceramic Cup Capacity (Approx.)	300 ml
Product Size (W x D x H) (Approx.)	300 x 260 x 286 mm
Net Weight (Approx.)	2.95 kg (The main body with ceramic pot)

4. Product Descriptions

4.1 Product Structure



1. Pot lid	5. Main body
2. Ceramic pot	6. Control Panel
3. Ceramic cup	7. Power cord
4. Heating Plate	8. Power plug

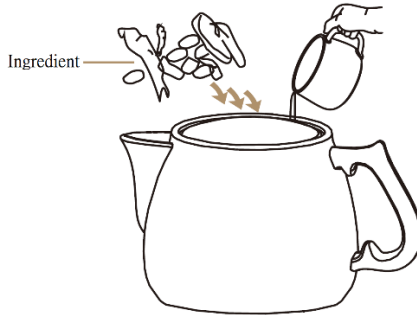
4.3 Control Panel



1. 【Preset】 Button	5. 【Start/Cancel】 Button
2. 【-】 Button	6. 【Function】 Button
3. Display	7. Indicators
4. 【+】 Button	8. 【Water level】 Button

5. Operation Instructions

5.1 Ready for use



- Put herbal medicines in the ceramic pot, according to the medicine requirements or weight, and use the ceramic cup to add water.

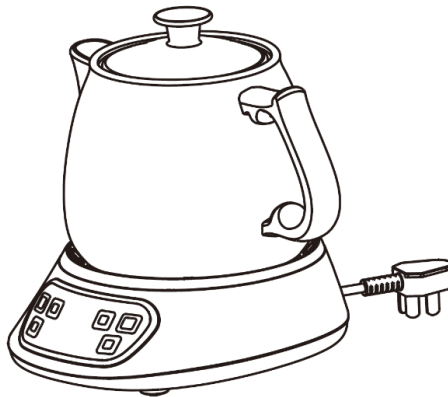


- ① Put the latch to the ceramic pot first.
- ② Make sure the latch is aligned before closing.



- Put the ceramic pot on the main body.

WARNING! Do not put the ceramic cup on the main body.



- Plug in the power plug to the socket.

5.2 Function Selection

1. Connect to the electricity: Plug in the power plug to the socket, a beep sound will be heard. Display will show “OFF” representing the appliance is in standby mode.

2. Function selection: In standby mode, press **【Function】** (功能) button to select desired function where “Chinese medicine” (中藥) → “Herbal tea” (涼茶) → “Soup” (煲湯) → “Keep Warm” (保溫) will show in order repeatedly with each press. Function indicator lights will flash while corresponding default operation time will show on display.

3. Water level selection: If “Chinese medicine” (中藥) or “Herbal tea” (涼茶) function is selected, add sufficient water according to medicine requirements or weight, and press the **【Water level】** (加水量) button where “3 cups” (3碗) → “4 cups” (4碗) → “2 cups” (2碗) will show in order repeatedly with each press. Corresponding Water level (加水量) indicators will light up. If “Soup” (湯) function is selected, **NO** water level selection is needed. User can add water according to ingredients or recipe recommended.

4. Operation time setting: After selecting function and the water level, to adjust the operation time, press **【+】** or **【-】** button each time to increase or decrease 5 minutes setting. (Detailed information can be found in **Chapter 5.3 Operation time table**)

5. Start operation: After function, water level and operation time are selected, press **【Start / Cancel】** (開始/取消) button or wait for about 10 seconds to confirm the settings.
Corresponding indicators will light on while operation time will show on display in descending order.

5.3 Operation time table for reference

Function	Water select level *	Default Operation time (Hour : Mins)	Amount of Chinese medicine or food	Operation time range (Hour : Mins)
Chinese medicine (中藥)	2 cups	0 : 45	According to the medicine requirements or medical order	0 : 25 - 3 : 00
	3 cups	1 : 20		0 : 25 - 3 : 00
	4 cups	1 : 50		0 : 25 - 3 : 00
Herbal tea (涼茶)	2 cups	0 : 35	50g-100g	0 : 25 - 2 : 00
	3 cups	0 : 40	100g-150g	0 : 25 - 2 : 00
	4 cups	0 : 45	150g-200g	0 : 25 - 2 : 00
Soup (煲湯)	Not applicable [#]	2 : 30	200g-300g	0 : 40 - 4 : 00

*Use the ceramic cup supplied to add water (capacity around 300 ml), or use other containers that capacity is around 250 - 300 ml.

Suggested to add 3-5 ceramic cup when using “Soup” (煲湯) function or add water in according amount to ingredients or recipe)

- Before operation, follow the medicine requirements or medical order to adjust operation time.
- **CAUTION!** The above operation time is for reference only. Due to the difference in the amount of water absorbed by different herbs, the actual amount of water to be added is based on the actual situation. User can adjust the operating time in accordance to the actual situation.

5.4 Preset function

1. In standby status, press **【Preset】** (預約) button, preset function indicator will flash and user can set up preset time.
 2. Press **【+】** button to add 10 minutes, the longest time that can set is 9 hours and 50 minutes.
 3. Press **【-】** button to decrease 10 minutes, the shortest time that can set is 10 minutes.
 4. After setting the preset time. The preset indicator will light on and the display will count down the start of the operation time
 5. User can select the function and the water level accordingly.
- CAUTION!** After setting up the preset time, if no function was selected within 10 seconds, the appliance will return to standby status.

5.5 Keep warm function

1. After the operation completed, the appliance will automatically enter the keep warm mode, except preset function. Default keep warm time is 2 hours.
2. In standby status, press **【Function】** (功能) button to select keep warm mode. Function indicators will flash and adjust keep warm time.
3. Press **【+】** to add 30 minutes, the longest time that can adjust is 9 hours and 30 minutes.
4. Press **【-】** to decrease 30 minutes, the shortest time that can be set are 30 minutes.
5. After function is selected. The indicators will light on, and operation time will show on display in descending order.

6. Trouble Shooting

<u>Problem</u>	<u>Cause</u>	<u>Solution</u>
The appliance does not work	The appliance did not connect to power or the power source is not connected properly.	Check whether the plug, socket and the power cord is in good condition and make sure the plug is firmly inserted into the socket.
The display does not work		
Display screen show EO and sound “BI”.	Dry burning	Power off the appliance and wait for the appliance to cool down, then put ingredients and water in the ceramic pot before use.
Food is under cooked	Operation time too short or the proportion of water is not enough.	Adjust the proportion of water and food or operation time.

*If the above solutions cannot fix the problem, do not attempt to repair it by yourself. Please contact Shun Hing Electric Service Centre Ltd. for checking and repairing.

7. Special Avowal

1. The content in the operation manual has been checked. Our company reserves the hermeneutic power to any printing errors or misunderstanding on the content.
2. If there are technical improvements on the appliance, the operation manual will be updated in new version without prior notice. The appliance appearance and specification are subject to the manufacturer information.
3. In case there is any inconsistency or conflict between the English versions and Chinese versions of the terms, the Chinese versions shall prevail.
4. The e-copy of user manual can be sent by email on requested. For enquiries, please call Shun Hing Electric Works & Engineering Co., Ltd. hotline at 2861 2767.

8. After Sales Service

1. For any defect, in the judgement of technician from Shun Hing Electric Service Center Limited, caused under normal use, our company is responsible for repairing or replacing parts of the said electrical appliance free of charge within one year guarantee period commencing from the date of purchase. Any defect part which has been replaced shall become our property. Guarantee service does not cover the replacement of consumable parts etc.
2. User must present the official invoice/redemption voucher and the product warranty card with the chop from sales point/redemption center for maintenance. For enquiries, please call Shun Hing Electric Service Center Limited hotline at 2406 5666

備忘錄

備忘錄



Rasonic 樂信牌

信興電工工程有限公司

SHUN HING ELECTRIC WORKS AND ENGINEERING CO., LTD.

辦公室：香港九龍尖沙咀東部麼地道67號半島中心9樓

電話：2861 2767

圖文傳真：2865 6706

網址：<http://www.rasonic.com>

電郵：shew@shunhinggroup.com

Office: 9/F, Peninsula Centre, 67 Mody Road, Tsimshatsui East, Kowloon, H.K.

Tel: 2861 2767

Fax: 2865 6706

Website: <http://www.rasonic.com>

E-mail: shew@shunhinggroup.com

保養及維修 Maintenance and Repair Service:

信興電器服務中心有限公司

SHUN HING ELECTRIC SERVICE CENTRE LTD.

香港新界葵涌勝耀街2號信興中心11樓

電話：2406 5666

圖文傳真：2408 0316

網址：<http://www.shesc.com/zh>

11/F, Shun Hing Centre, 2 Shing Yiu Street, Kwai Chung, N.T. H.K.

Tel: 2406 5666

Fax: 2408 0316

Website: <http://www.shesc.com/en>

客戶服務中心

香港新界葵涌勝耀街2號信興中心1樓

九龍尖沙咀東部麼地道67號半島中心B座9樓

香港天后琉璃街7號柏景中心22樓

澳門慕拉士大馬路193-199號南嶺工業大廈5樓I座

Customer Service Centre

1/F, Shun Hing Centre, 2 Shing Yiu Street, Kwai Chung, N.T.

9/F, Block B, Peninsula Centre, 67 Mody Road, Tsim Sha Tsui East, Kowloon

22/F, Parkview Centre, 7 Lau Li Street, Tin Hau, Hong Kong

Avenida de Venceslau de Morais, No. 193-199,5 andar - 1, Edf. Industrial Nam Leng, Macau

有關最新之香港及澳門客戶服務中心資料，請參閱信興服務中心網址：

<http://www.shesc.com/zh>

For the latest information of Hong Kong and Macau service center, please visit

<http://www.shesc.com/en>

RHB-B0323